

# BULKU132415

## BULK VAULT HDPE STRUCTURAL FOAM

### SHIELD X COMPOSITE COVER



#### FEATURES:

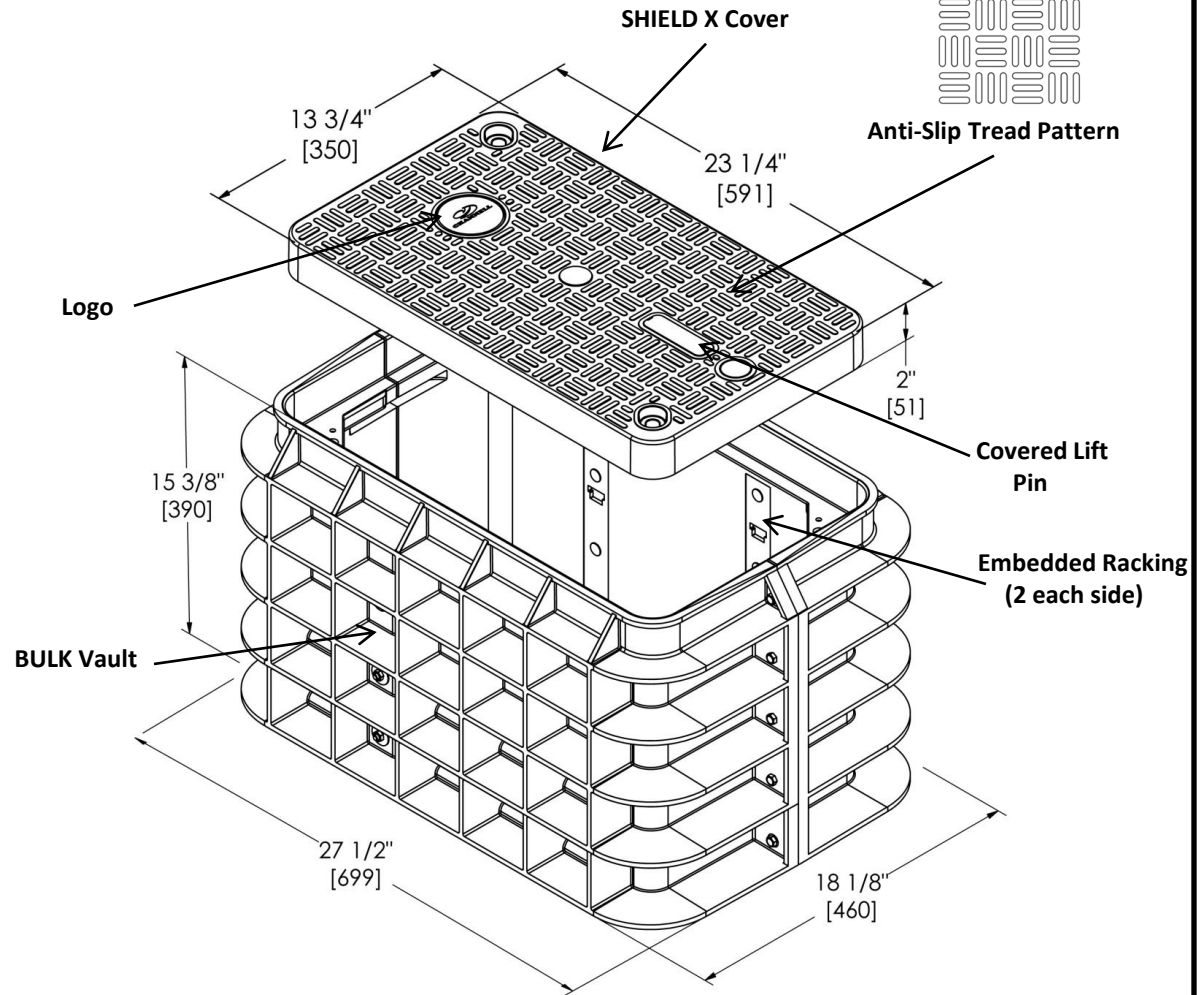
- 13" X 24" X 15" (open floor) (actual dimensions on drawing)
- BULK VAULT – SHIELD X COVER- Tier 22 Load Rated (ANSI/SCTE 77: 2013)
- (2) Cover locking Auger bolts, Hex (9/16") or Penta (7/8") head with washer
- (2) Non-Seizing Fastening System, Field Replaceable
- (4) Embedded Composite Rack Support
- (1) Lifting slot equipped with stainless steel pin (slot is approximately 2 3/4" x 3/4")
- (1) Logo Disk

#### WEIGHT & SHIPPING:

- Cover Weight: 16 lbs
- Box Weight: 26 lbs
- Assembly Weight : 42lbs

#### PERFORMANCE TESTING:

- ANSI/SCTE 77: 2013 - TIER 22 Rated (33,750 lbs)
- AS3996 – Class C
- EN124 Class B125
- ASTM C1028-07 & AS-4586 (Slip Resistance)
- 10,000 Hour Xenon-Arc Exposure (No fiber-bloom)
- ASTM D635-06 (Flammability)



Inside Dimensions		
Length	Width	Depth
22" [559]	12 1/2" [318]	13 3/8" [340]

