

BULKU121212

BULK VAULT HDPE STRUCTURAL FOAM SHIELD X COMPOSITE COVER



FEATURES:

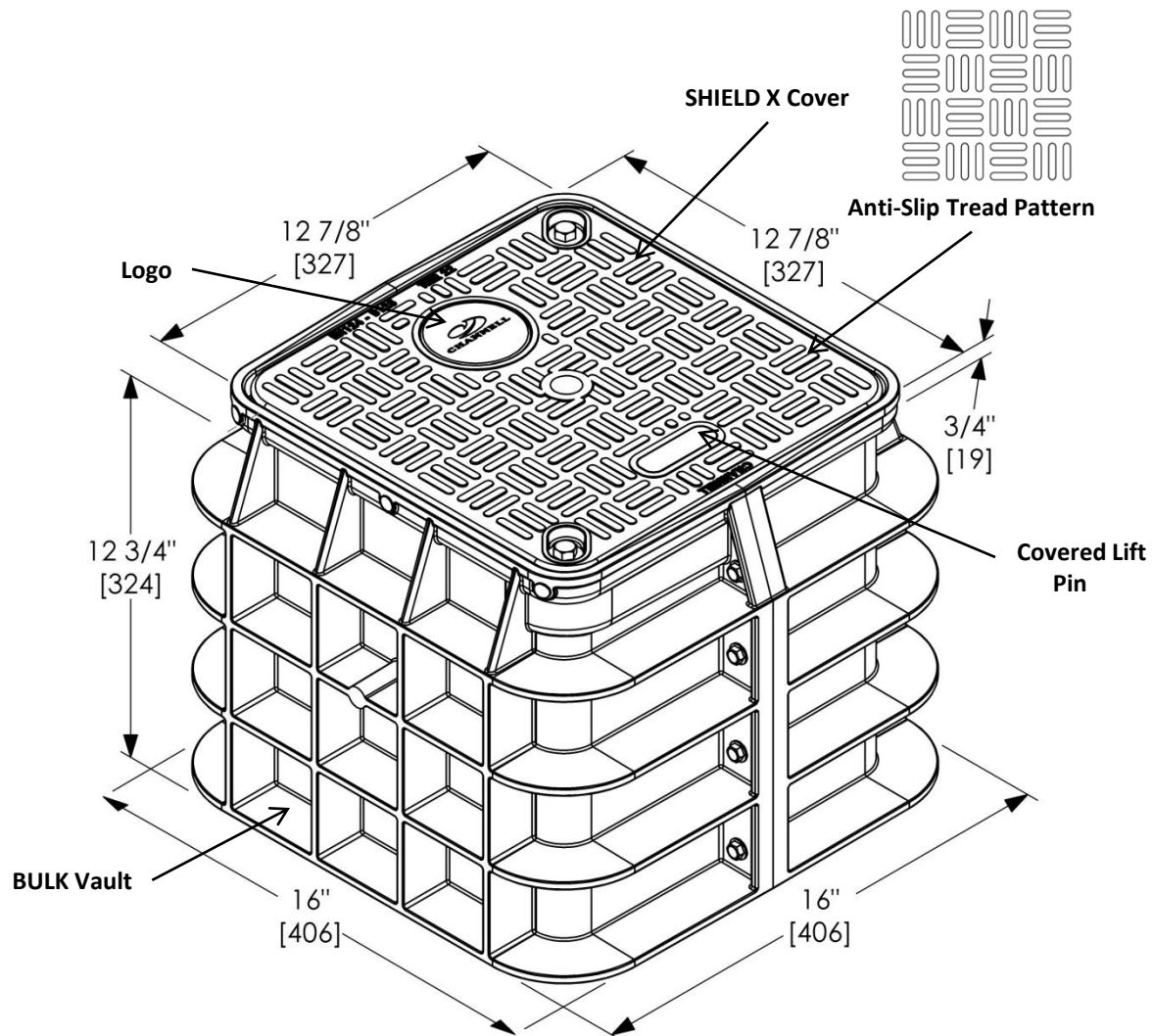
- 12" X 12" X 12" (open floor) (actual dimensions on drawing)
- BULK VAULT – SHIELD X COVER- Tier 22 Load Rated (ANSI/SCTE 77: 2013)
- (2) Cover locking Auger bolts, Hex (9/16") or Penta (7/8") head with washer
- (2) Non-Seizing Fastening System, Field Replaceable
- (1) Lifting slot equipped with stainless steel pin (slot is approximately 2 1/4"x3/4")
- (1) Logo Disk

WEIGHT & SHIPPING:

- Cover Weight: 9 lbs
- Box Weight: 10 lbs
- Assembly Weight : 19 lbs

PERFORMANCE TESTING:

- ANSI/SCTE 77: 2013 - TIER 22 Rated (33,750 lbs)
- AS3996 – Class C
- EN124 Class B125
- ASTM C1028-07 & AS-4586 (Slip Resistance)
- 10,000 Hour Xenon-Arc Exposure (No fiber-bloom)
- ASTM D635-06 (Flammability)



Inside Dimensions		
Length	Width	Depth
12" [305]	12" [305]	12" [305]

