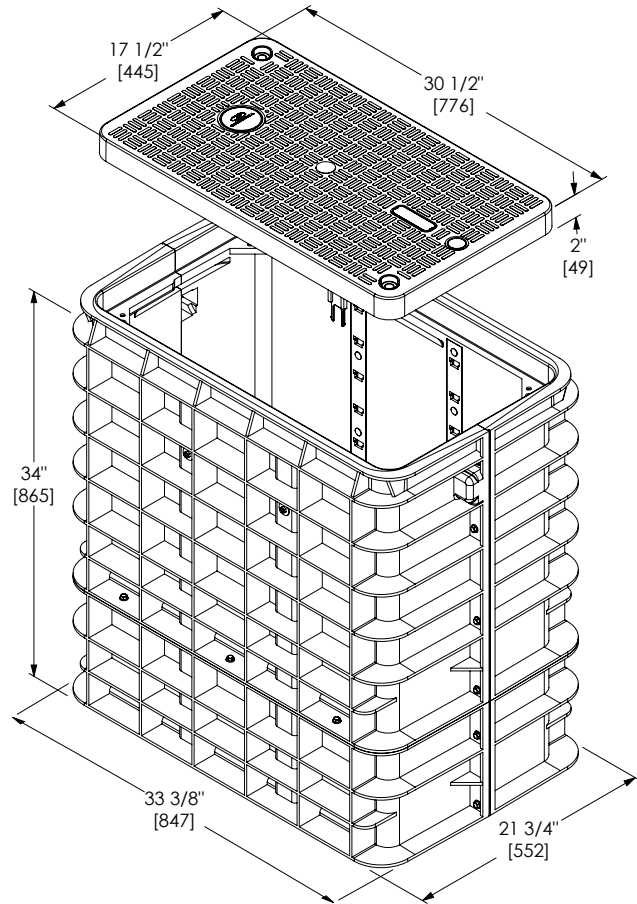
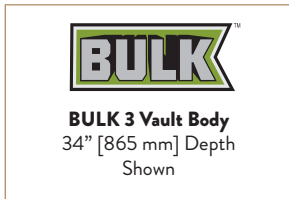
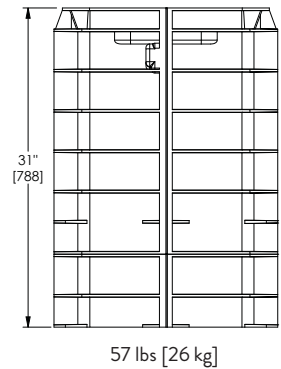
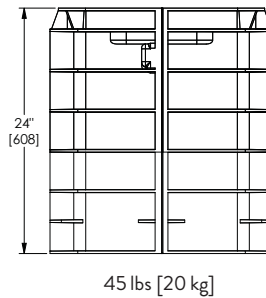
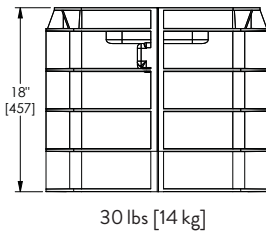
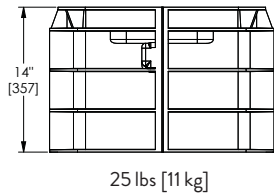


BODY SPECIFICATIONS

| | | |
|-------------------------|--------|---------|
| Cover Weight | 26 lbs | [12 kg] |
| Pit Weight | 63 lbs | [29 kg] |
| Assembled Weight | 89 lbs | [41 kg] |



ADDITIONAL BODY DEPTHS



UNITED STATES
800.423.1863

CANADA
905.565.1700

EUROPE, MIDDLE EAST, AFRICA
44.1322.312590

AUSTRALIA, ASIA, PACIFIC RIM
61.2.8884.4111

www.channell.com